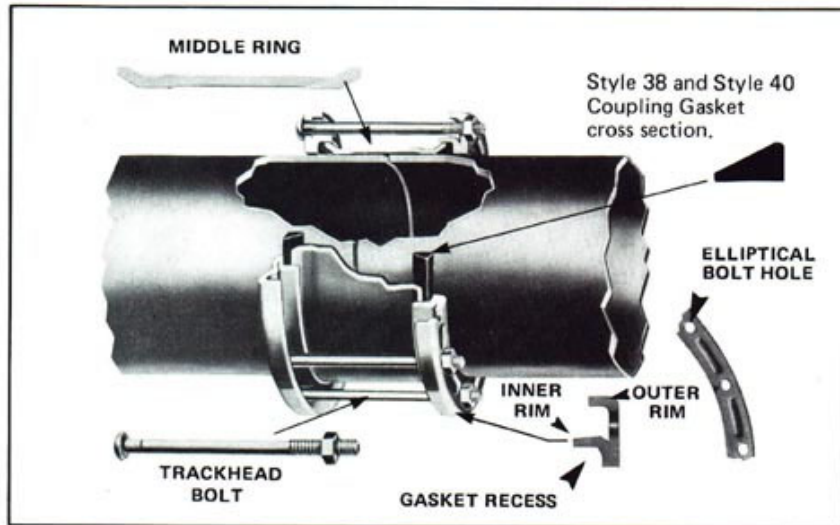


The Basic Principle of Dresser® Couplings

The Dresser Coupling consists of one cylindrical steel middle ring, two steel follower rings, two resilient gaskets of special Dresser compound, and a set of steel trackhead bolts. The middle ring has a conical flare at each end to receive the wedge portion of the gaskets. The follower rings confine the outer ends of the gaskets. Tightening the bolt draws the follower rings toward each other, compressing the gaskets in the spaces formed by follower rings, middle ring flares and pipe surface. This effects a flexible, leak-proof seal.

Dresser Couplings are carefully engineered at every point. Middle rings and followers have ample strength to maintain a constant, even pressure against the gaskets. The wide outer rim of the followers provides added rigidity. Gasket sections are made generous enough to furnish more than adequate sealing surface and "pack" between coupling pipe. Dresser bolts and nuts are of high grade, high strength steel.



Cutaway view of Dresser Coupling, showing working principle and illustrating shape and relative position of component parts.

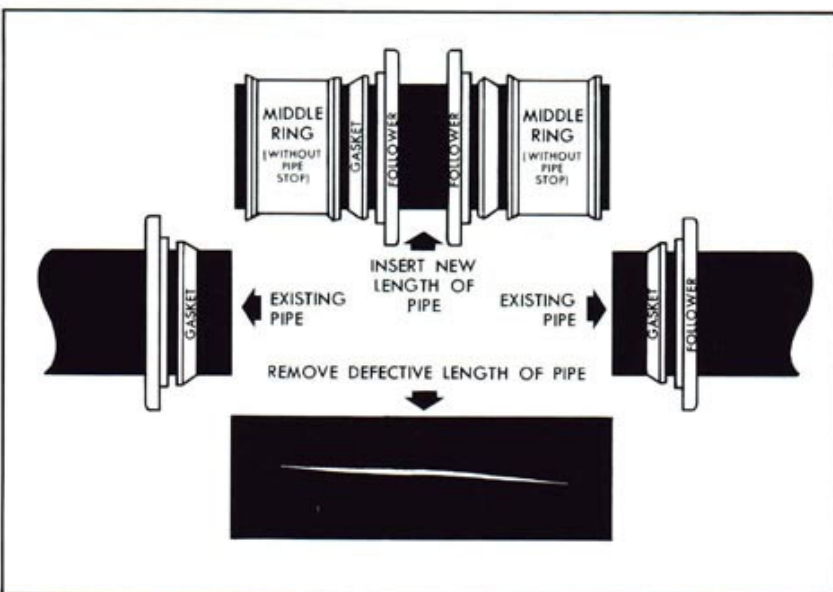
Note: Where pipe movement out of the coupling might occur, proper anchorage of the pipe must be provided.

Simple and Rugged Design Assures Tight, Dependable Joints and Low Cost Installation.

Proved by years' of service on all kinds of piping, Dresser Steel Couplings provide flexible, bottle-tight connections that last the life of the line.

No costly threading, beveling, exact pipe fitting or alignment is required. The resilient Dresser Gaskets absorb vibration and pipe movement, permit curves to be laid with straight pipe lengths. Installation is safe and sure, there's no hazard to workmen or delays due to weather. Rugged and serviceable, standard Dresser Couplings will fit virtually any pipe or tubing having the same OD as steel or cast iron pipe.

Dresser Couplings are available from 1/2" ID to 405" OD and larger. Commonly used sizes are listed in the tables, but couplings can be furnished for practically any size or any special condition. Details and prices on request.



Repairing damaged pipe is fast and easy with Dresser Style 38 Couplings. The diagram