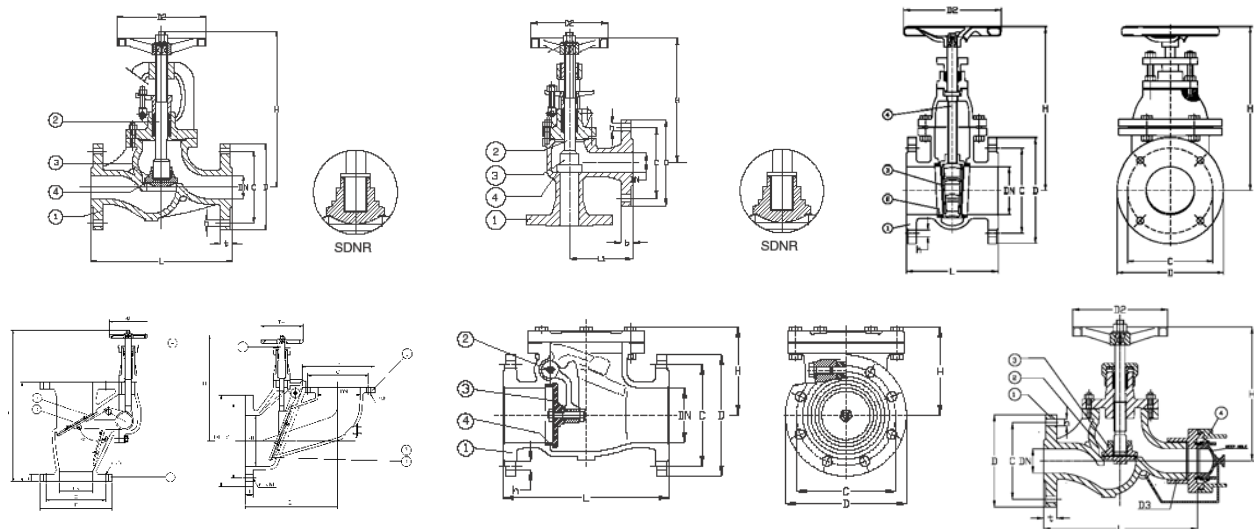


Valve Identification Worksheet



Type of Valve:	
DN– Size of bore or Nominal size:	
L- Face to face or L1– Face to Center:	
D- Flange Diameter:	
C– Bolt Circle (Pitch circle diameter):	
Connection type:	
Body material:	
Disc material:	
Stem material:	
Pressure Class:	
Medium:	
Temperature:	
Regular or Check (SDNR) if applicable:	
Other info:	
Material test report required:	
Class certification required:	
Vessel name:	