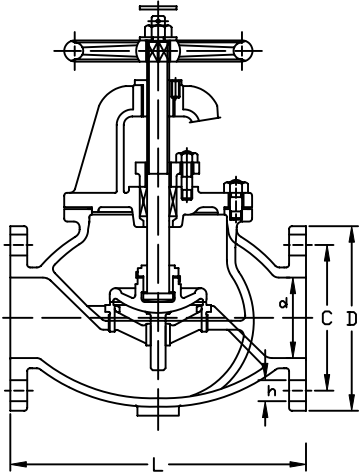
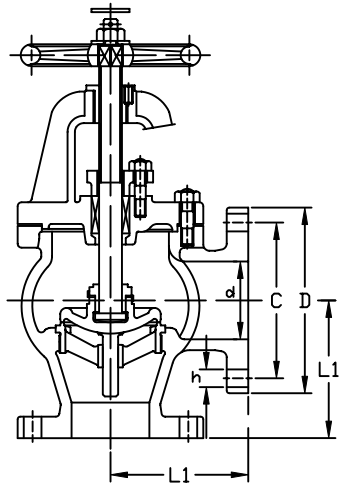


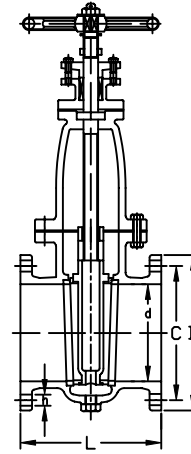
Quick Reference Valve Chart



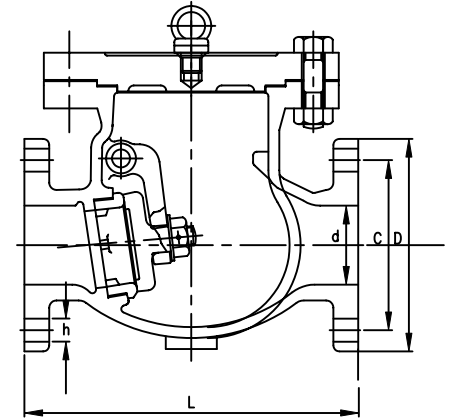
Stop Type
Globe Pattern



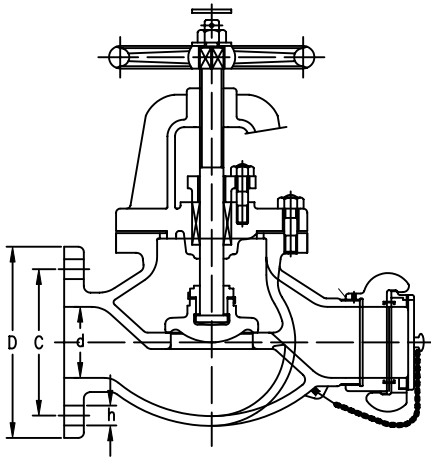
Stop Type
Angle Pattern



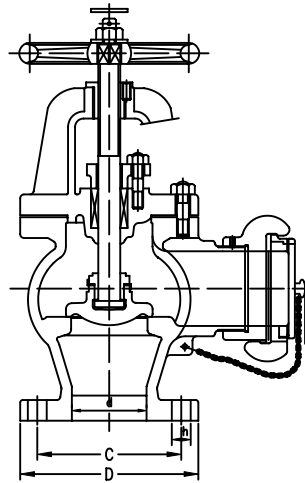
Gate (Sluice)



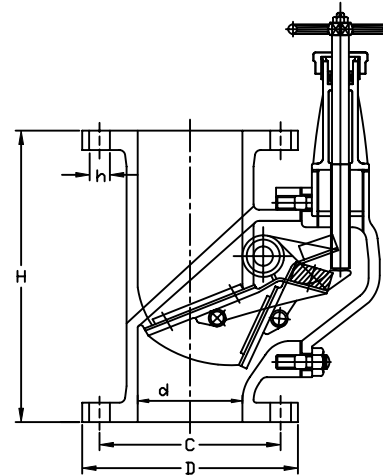
Swing Check



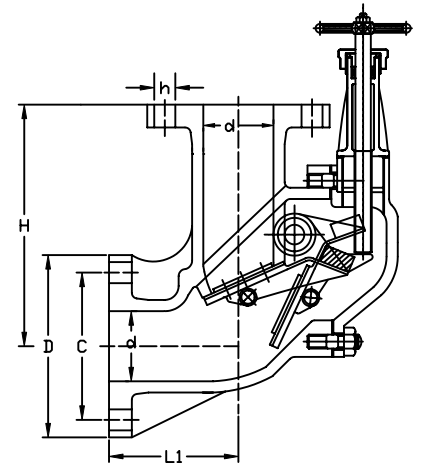
Hose Type
Globe Pattern



Hose Type
Angle Pattern

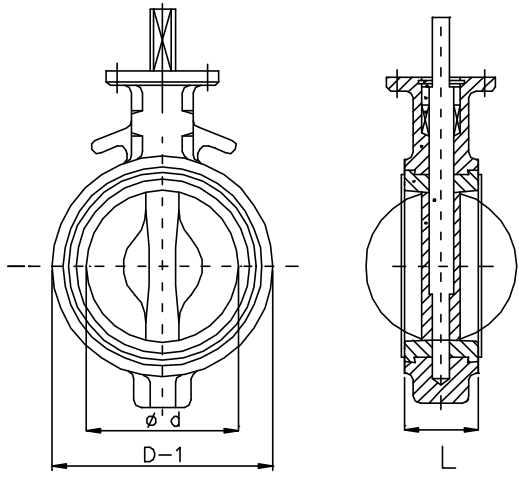


Storm (Scupper)
Vertical Pattern

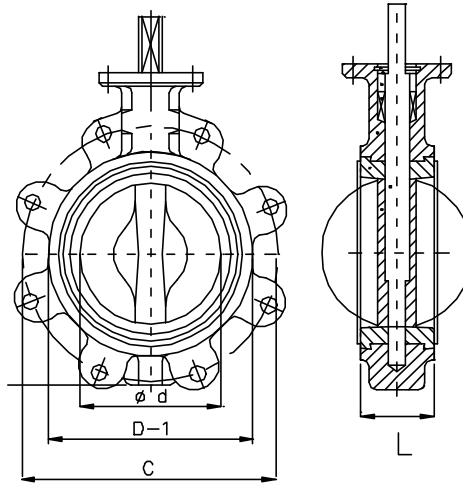


Storm (Scupper)
Angle Pattern

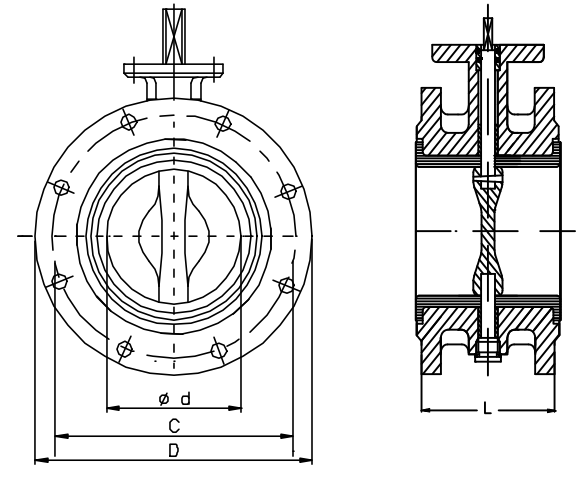
Quick Reference Valve Chart



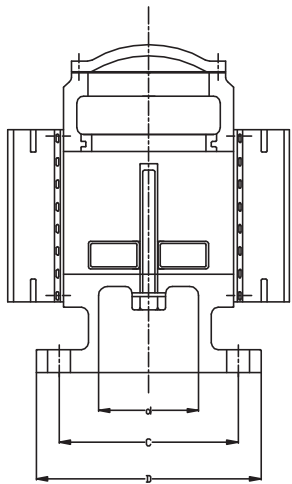
Butterfly
Wafer Type



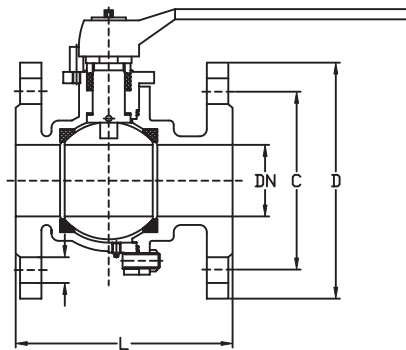
Butterfly
Lug Type



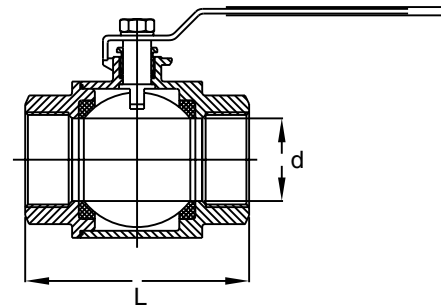
Butterfly
Flanged Type



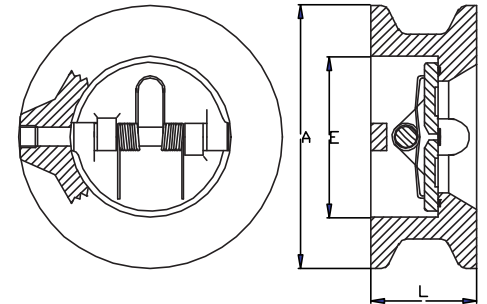
Vent Check



Ball (Flanged Type)



Ball (Threaded Type)



Wafer Duo-Check